

HH-BAR-FB31 Series

U-SHAPED FLIP UP Grab Bar

6 Stainless steel screws for wood backing included with every bar!

U-SHAPED
FLIP UP
Grab Bar

Application Use:



Specifications

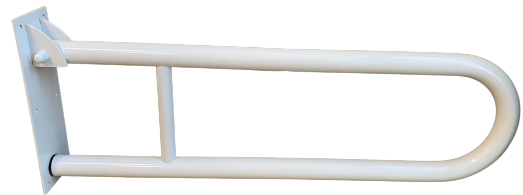
The U-SHAPED FLIP UP Grab Bar is manufactured using high quality 18 gauge 1.25" diameter 304 stainless steel.

6 convenient mounting holes allow for easy installation and preserving the clean finished look. Meets ADA requirements.

Durable stainless steel construction provides outstanding sanitary and damage resistant properties often used in public institutional, and residential applications.

The Bilanx Bath Collection is designed, built, and tested to 500lbs exceeding HUD, FHA, VA, ADA, ANSI and other federal, provincial, and local codes.

*Grab Bars can only be as strong as what they are mounted to. It is imperative when installing any safety product to consult with a qualified contractor to insure you have sufficient backing.



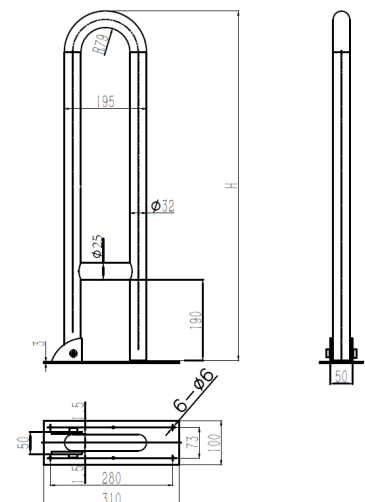
The Bilanx Bathing Collection

All U-SHAPED FLIP UP Grab Bar complete with easy to follow instructions, mounting hardware for stud framing & hollow walls.

The Bilanx Bathing Collection has been designed, built, and tested to 500lbs.

The U-SHAPED FLIP UP Grab Bar comes in 6 standard finishes

HH-BAR-FB31-PS	POLISHED CHROME
HH-BAR-FB31-BS	BRUSHED NICKEL
HH-BAR-FB31-WH	WHITE



Dimension tolerances +/- 3/16"

Custom Finishes Available Upon Request