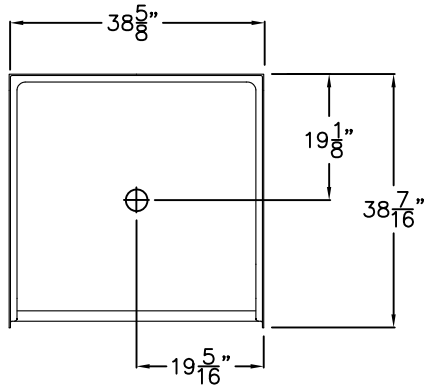
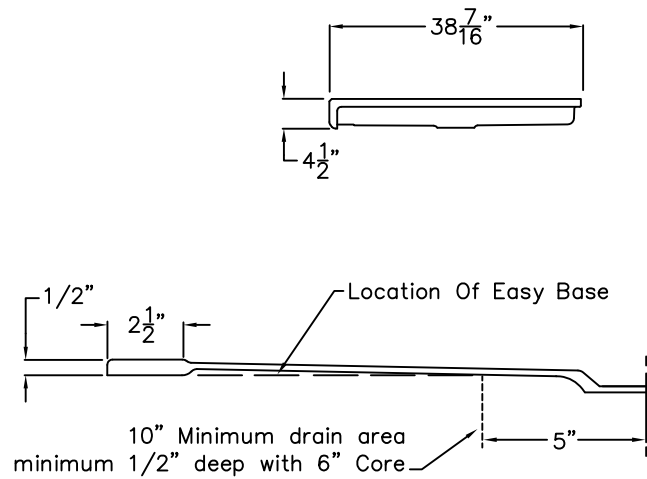


SUBMITTAL DATA

TOP VIEW



SIDE VIEW



THRESHOLD DETAIL

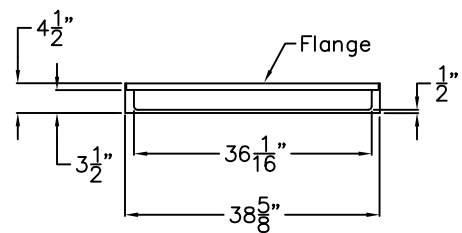
Barrier Free Shower Pan

The shower pan shall be RRSP3838 BFPAN .50, center drain. Finished surface shall be of a sanitary-grade polyester Gelcoat exhibiting a minimal thickness of 15 dry mils, and a finished cured Barcol hardness of 80-90 as tested with ASTM D-2583. Unit construction shall be of molded reinforced fiberglass with a minimum fiberglass content. The unit shall have outside dimensions of 38 5/8" x 38 7/16" x 4 1/2". The one piece pan shall meet ANSI Z124.2, complies with CSA, NAHB, UPC, and shall meet the requirements of Southern Building Code.

The enclosure shall be equipped with the following installed accessories:

- 1) Low entry 1/2" threshold,
- 2) Factory installed Easy Base self sustaining bottom.

FRONT VIEW



DUE TO THE NATURE OF THE MATERIALS INVOLVED  
UNIT DIMENSIONS MAY VARY ± 1/2 INCH

Job Name:	Health at Home, Inc.		
Model No.:	Drawing#: RBSP 3838 BF .50 PAN		
Approved by:	Date Approved:	Date: 3-31-09	Revised: 3-3-11
Rep.:	Wholesaler:	Quote No.	